

GSM Based Fingerprint Student Attending System for Notification of Guardian.

About This Project:

In this project is GSM Based Fingerprint Student Attending System for Notification of Guardian. Our project aims is to designing a student attendance system which could effectively manage attendance of students attendance is marked after student identification. For student identification, a fingerprint recognition based identification system is used. Fingerprints are considered to be the best and fastest method for biometric identification. They are secure to use, unique for every person and does not change in one's lifetime. We have developed an identification system which is faster in implementation than any other available today in the market. Although are using this fingerprint identification system for student identification purpose in our project, the matching results are so good that it could perform very well. The project requires a fingerprint reader for finger detection. Every student can login to the system through finger detection. When students come to the school, students will give fingerprints and their attendance message send their parents. When students leave to the school, students will give again sign-out fingerprints and their outgoing message send their parents. If the parents does not receive the message, then parents can understand that there is a problem. This project mainly comprised of development of attendance management system and fingerprint identification system. Attendance management is very helpful in saving valuable time of students and teachers.

Block Diagram:

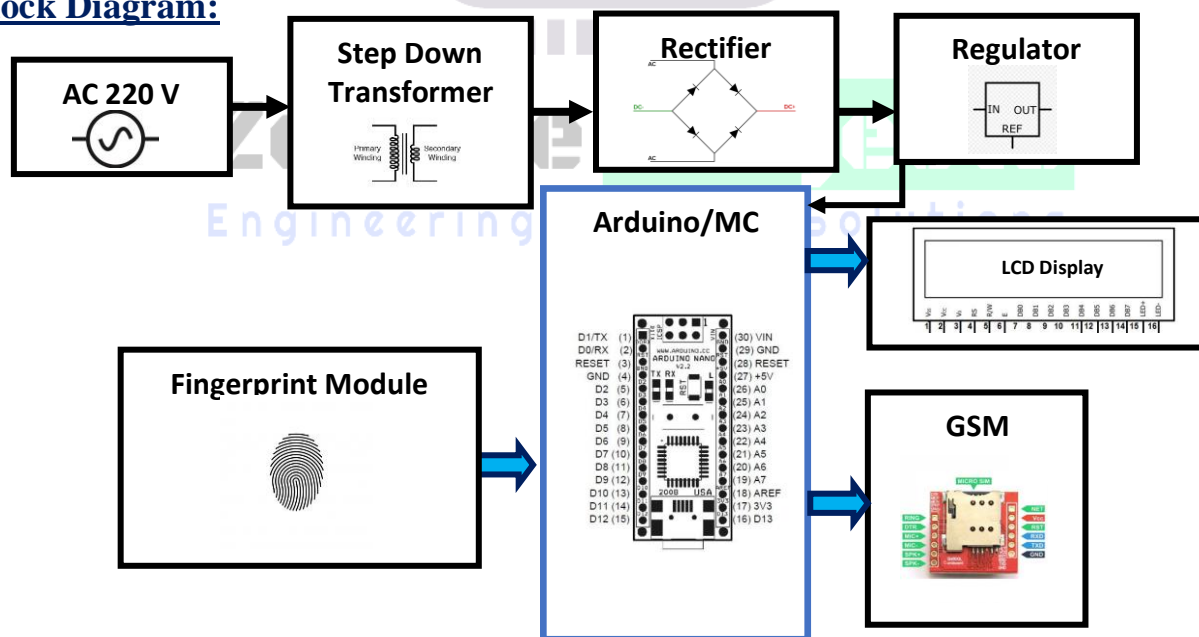


Figure: Block Diagram of GSM Based Fingerprint Student Attending System for Notification of Guardian.

Required Instrument:

- Arduino.
- Finger Print Module.
- GSM Module.
- LCD Display.
- Buzzer.
- Transformer.
- Diode.
- Voltage Regulator.
- Capacitor.
- Buzzer.

Advantages:

- High Security.
- Parents will be able to know about their children's attendance at the educational institution.
- Cost Effective.
- Easy to Install.
- The tendency of students to cheat will decrease.
- Attendance of students in educational institutions will increase.
- The quality of education will improve.

Applications:

The project has a major application in the following places:-

- School, College & University.
- It can be used as required in office, industries.

N.B: Any modification of this project can be done as per your requirement. We will make the project according to your needs. Contact us with your any innovative engineering projects idea. We will help you to implement your project.

Office:

Road#04, Plot#03, Sec#6/Ka,
Mirpur-2, Dhaka-1216

Web & Mail:

www.projects.zeronebd.com
projects.zeronebd@gmail.com

Contact:

01676 99 80 99
01714 80 84 02