

[How to Make an Amusing Toy Robot at Home Easy?]

➤ Introduction:

Toy Robot This is an amusing robot that can delight children 100%. Any kid will be able to make it easily and A kid will get the basic idea of building a robot. Very easily he will learn to make robots and he'll have fun. It will be better for his future.

Block Diagram:

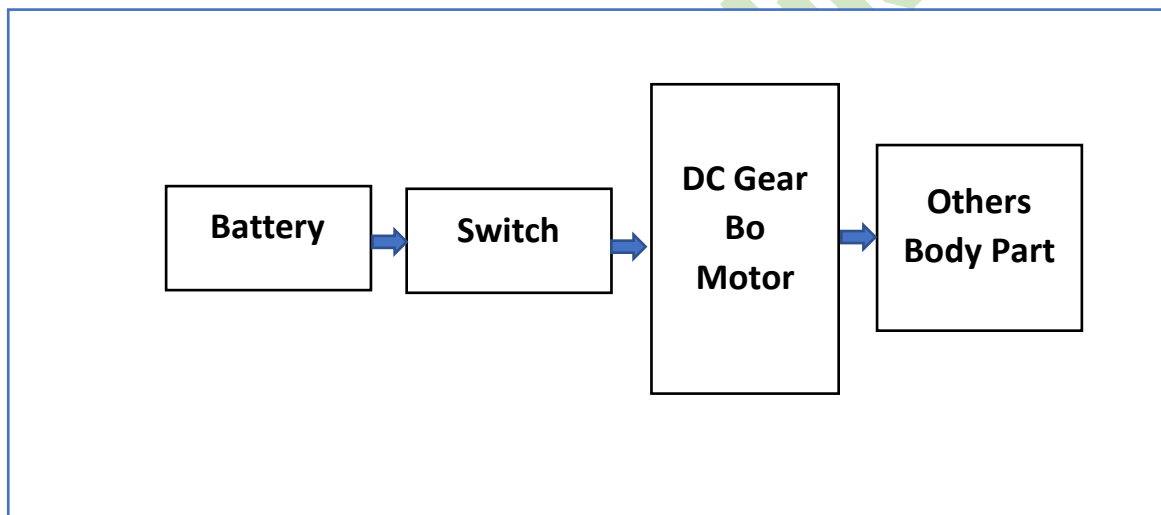


Figure: Block Diagram of Toy Robot.

➤ Required Instrument:

1. Gear Motor 1 piece.
2. Battery 1 piece.
3. Acrylic Sheet.
4. Copper Wire.
5. Switch.
6. PVC Board.

N.B: If you have any problems working, please contact us and we will assist you,in-shaa-allah.