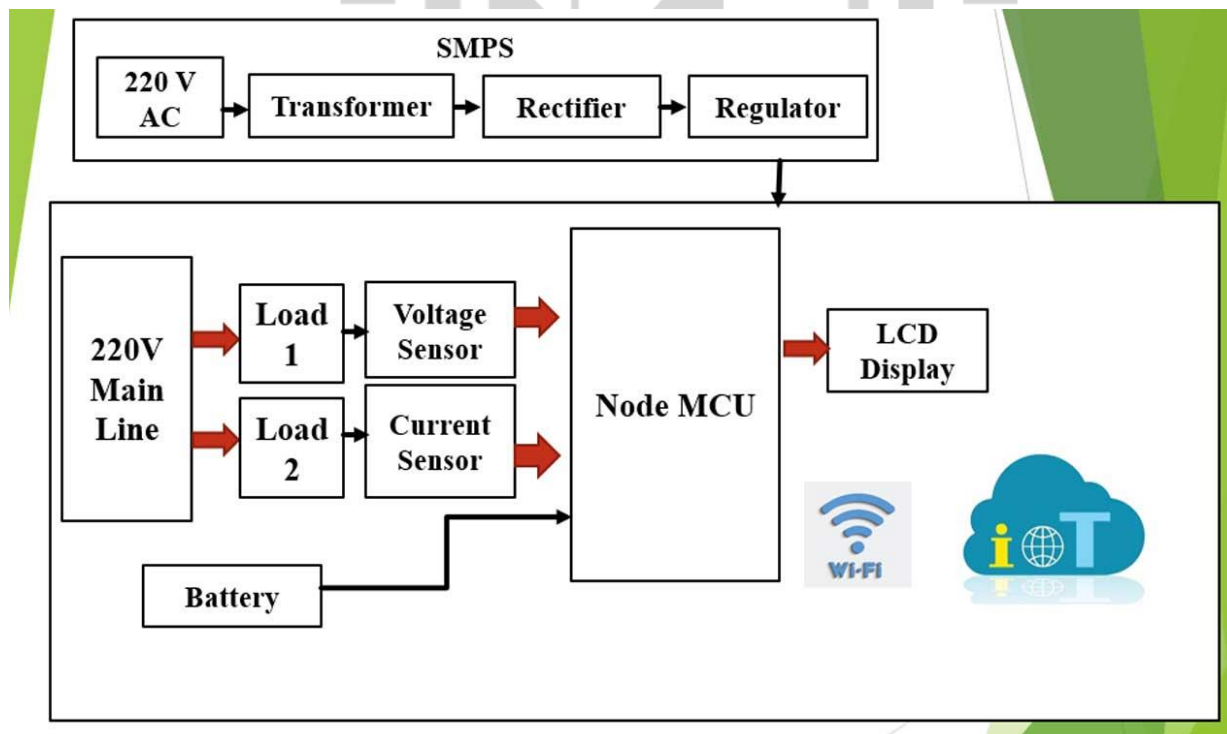


# IOT Based Smart Energy Meter.

## About This Project:

IoT Based Integration of Energy Meter is very efficient & workable project. In this project we developed a energy meter which can sensing load current, voltage & calculate the KWH & Bill. It is very suitable for industry or home. This project produces the design and building a system that gives a solution to the measurement of energy and helps the local customers to save the power in an efficient manner. Also, in this project we used a Node MCU as a brain of our project & we used a voltage sensor, current sensor for measuring the voltage & current of Load. The main feature of this project is that user can see the current, voltage, KWH & Bill in mobile apps from any distance over internet. The system consists of power consumption energy meter at customer homes. We have also used an LCD display So that the customer can see the load voltage, current, & he can see his bill. Total project is a complete solution of simple energy meter.

## Block Diagram:



**Figure: Block Diagram of IOT Based Smart Energy Meter.**

### Required Instrument:

- Node MCU
- SMPS
- Current Sensor
- Voltage Sensor
- LCD Display
- Voltage Regulator.
- Load
- 3.7V Battery

### Advantages:

- Can be Monitoring from anywhere.
- The parts used are available and easily replaceable.
- Easy to use.
- Can be easily repaired.
- Cost Effective.

### Applications:

- Can be used in home user.
- It's also Can be used in Industry.



**N.B:** *Any modification of this project can be done as per your requirement. We will make the project according to your needs. Contact us with your any innovative engineering projects idea. We will help you to implement your project.*

**Office:**

Road#04, Plot#03, Sec#6/Ka,  
Mirpur-2, Dhaka-1216

**Web & Mail:**

[www.projects.zeronebd.com](http://www.projects.zeronebd.com)  
[projects.zeronebd@gmail.com](mailto:projects.zeronebd@gmail.com)

**Contact:**

01676 99 80 99  
01714 80 84 02