

Fingerprint Based ATM Security System.

About This Project:

The fingerprint based biometric system can be implemented easily for securing the ATM machine. Using biometrics it identifies the fingerprint and gives accurate result whether it is valid or not. This system can be employed at Real time application with enhanced security, high accuracy, reliability and uniqueness of fingerprints. It is convenient due to its low power requirement and portability. In this way we can try to control the crime circle of ATM and secure it.

Biometrics is a technology that helps to make your data tremendously secure, distinguishing all the users by way of their personal physical characteristics. Biometric information can be used to accurately identify people. Using biometric identifiers offers several advantages over traditional and current methods. Fingerprint technology is the most widely accepted and mature biometric method and is the easiest to deploy and for a higher level of security at your fingertips. It is simple to install and also it takes little time and effort to acquire one's fingerprint with a fingerprint identification device.

Block Diagram:

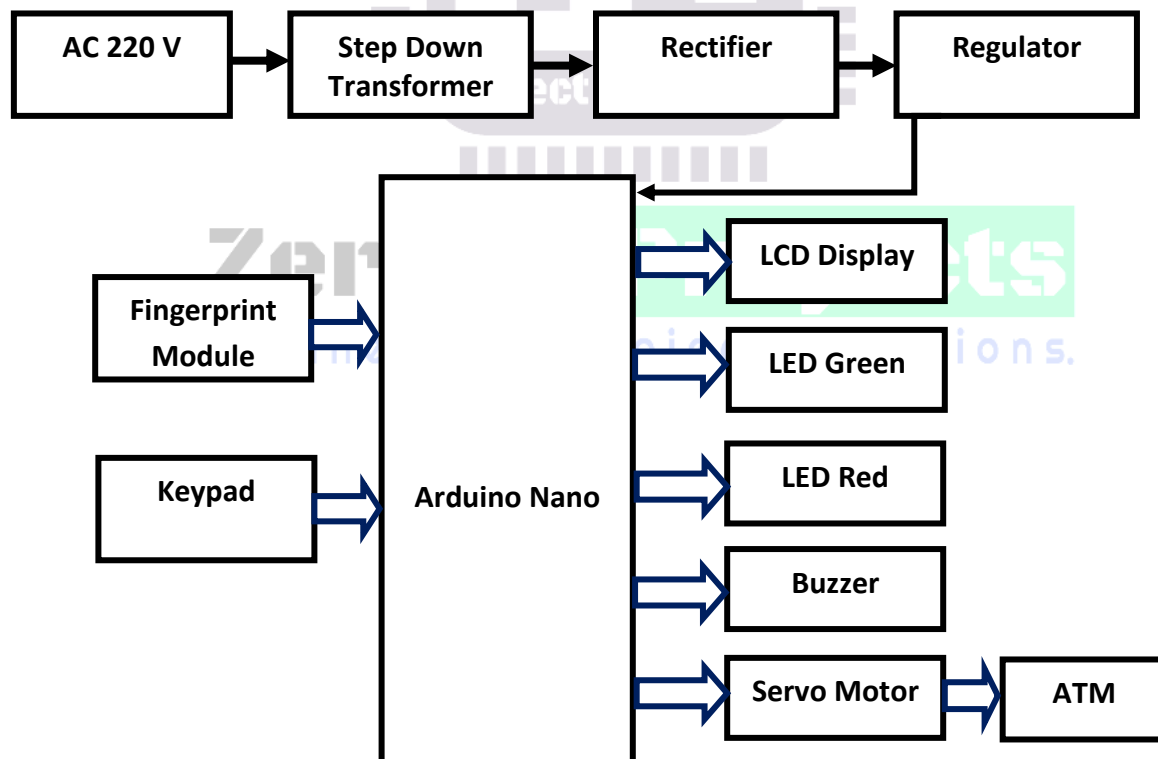


Figure: Block Diagram of Fingerprint Based ATM Security System.

Office:

Road#04, Plot#03, Sec#6/Ka,
Mirpur-2, Dhaka-1216

Web & Mail:

www.projects.zeronebd.com
projects.zeronebd@gmail.com

Contact:

01676 99 80 99
01714 80 84 02

Required Instrument:

1. Arduino Nano.
2. Fingerprint Module.
3. Keypad.
4. LCD Display.
5. LED
6. Buzzer.
7. Servo Motor.
8. Transformer.
9. Diode.
10. Capacitor.
11. Resistor.

Advantages:

1. High Security System.
2. This System Is Easy to Install.
3. If The Card Is Lost, There Will Be No Problem.
4. Fraudulently/Hacking Will Be Reduce.
5. This Is Totally Digital System. Money Withdrawal Can Possible Without Any Card.

Applications:

The project has a major application in the

- Any Bank Can Use It Extensively for Their ATM Security.

N.B: Any modification of this project can be done as per your requirement. We will make the project according to your needs. Contact us with your any innovative engineering projects idea. We will help you to implement your project.

Office:

Road#04, Plot#03, Sec#6/Ka,
Mirpur-2, Dhaka-1216

Web & Mail:

www.projects.zeronebd.com
projects.zeronebd@gmail.com

Contact:

01676 99 80 99
01714 80 84 02