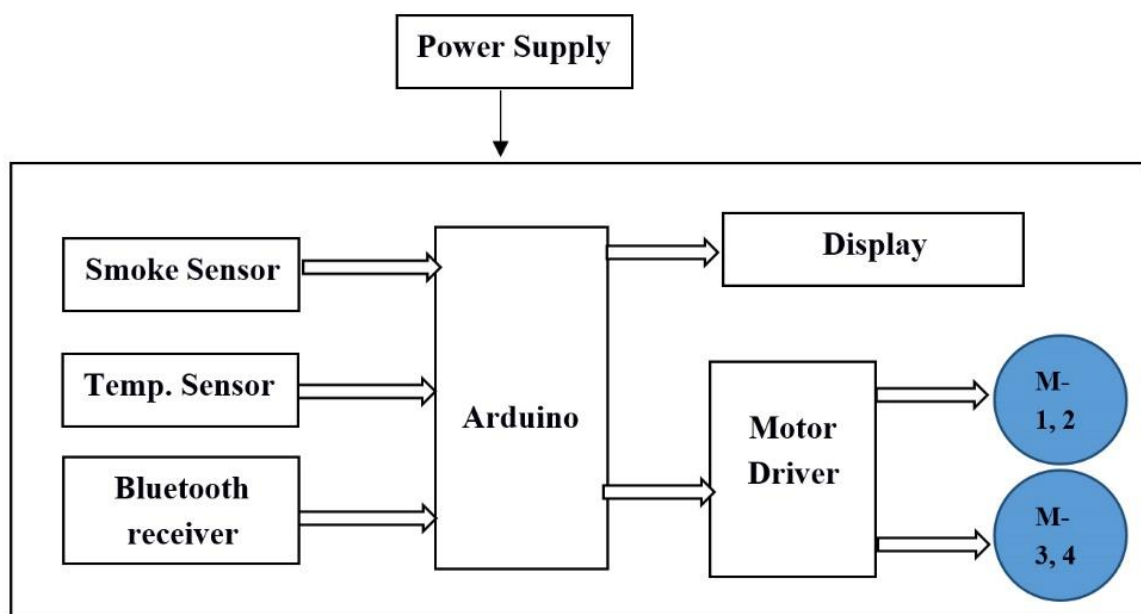


## Android Control Multi-Function Intelligent Car.

### Introduction:

The Android Control Self Avoiding, Intelligent & Multi-Function Car. uses an MCU development application system and a 4-wheel drive system, the core of which is ArduinoAtmega-328P. It can realize multifunction, such as obstacle avoidance, remote control, Auto mode control, Temperature & Humidity Monitoring, Smoke & fire Detection System, and some other functions.

### Block Diagram:



Engineering Project Solutions.

**Fig: Android Control Multi-Function Intelligent Car.**

### Feature & Advantages:

1. Android Control System.
2. Auto Mode Control.
3. Temperature & Humidity Monitoring.
4. Smoke & Fire Detection System.
5. Obstacle Avoiding.

#### Office:

Road#04, Plot#03, Sec#6/Ka,  
Mirpur-2, Dhaka-1216

#### Web & Mail:

www.projects.zeronebd.com  
projects.zeronebd@gmail.com

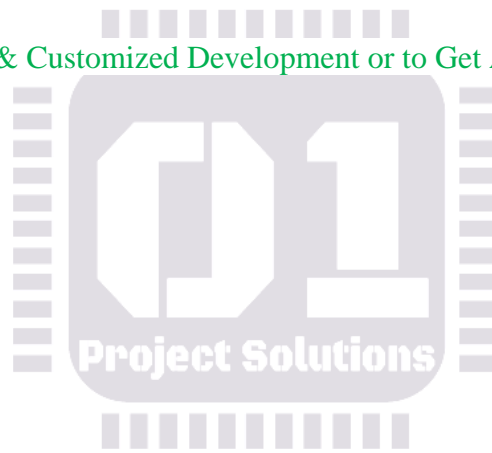
#### Contact:

01676 99 80 99  
01714 80 84 02

**Required Instruments:**

- Microcontroller/Arduino.
- DC Gear Motor.
- Wheel.
- Motor Driver.
- LCD Display.
- Bluetooth Module.
- Smoke Sensor.
- Temperature Sensor.
- Battery.

**N.B:** For This Project Details & Customized Development or to Get Any Engineering Project Solutions Contact with Us.



**ZerOne Projects**  
Engineering Project Solutions.

**Office:**

Road#04, Plot#03, Sec#6/Ka,  
Mirpur-2, Dhaka-1216

**Web & Mail:**

[www.projects.zeronebd.com](http://www.projects.zeronebd.com)  
[projects.zeronebd@gmail.com](mailto:projects.zeronebd@gmail.com)

**Contact:**

01676 99 80 99  
01714 80 84 02