

Visitor Counter Based Smart conference Room.

About This Project:

Our project is all about building a smart conference room for various kinds of events. What our system does is that it calculates the amount of people attending the event so that the amount of food can be measured and in the process no food gets wasted as well. The system also operates the loads of the room depending on the number of participants, in simple words, if there are less number of participants then there are less number of loads turned on. To enter the conference, people will have to go through a RFID based check up so no unauthorized person will be able to attend the event as well. Fire sensor has been placed inside the room to detect Fire to prevent any unwanted incident from taking place. So, we can say that it's a smart conference room equipped with safety ensuring facilities.

Block Diagram:

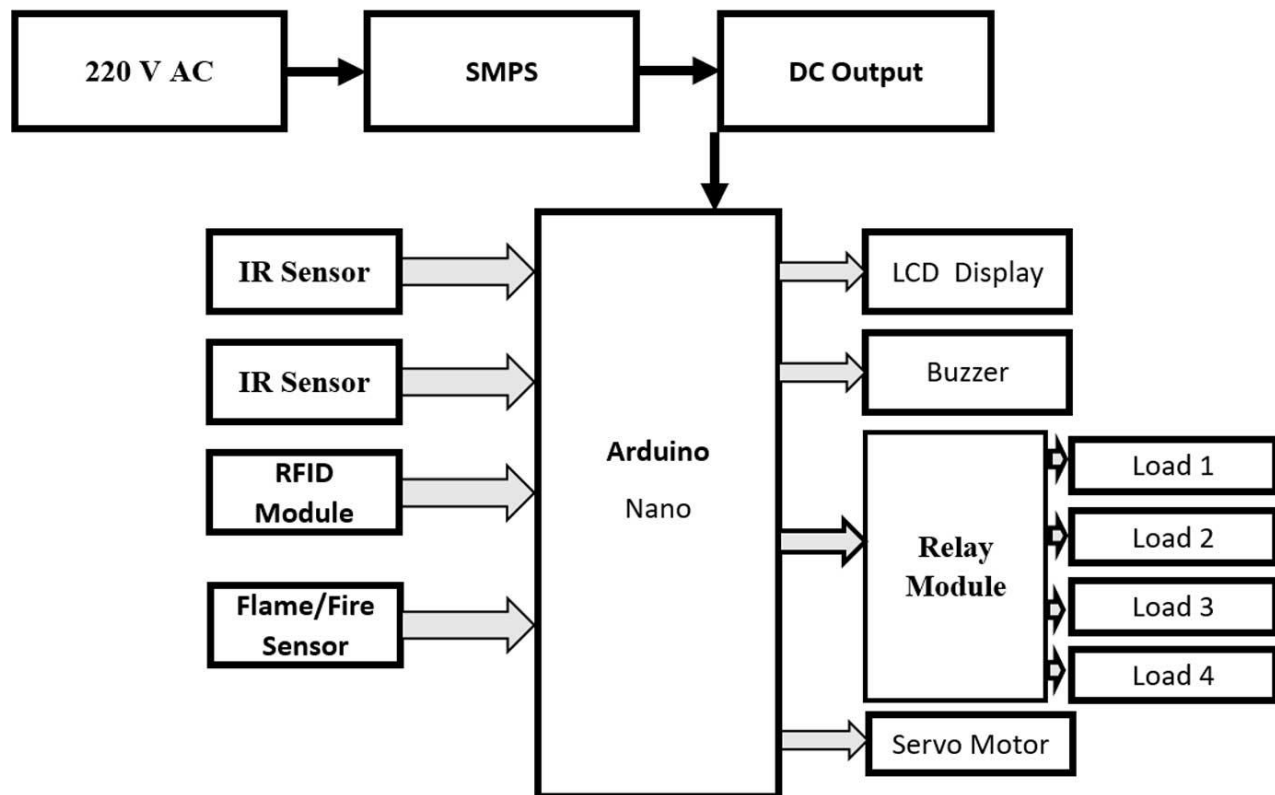


Figure: Block Diagram of Visitor Counter Based Smart conference Room

Required Instrument:

- Arduino Nano
- SMPS
- Infrared Sensor
- RFID Module
- MQ-2 Gas Sensor
- Buzzer
- LCD Unit
- Transistor
- Relay

Advantages:

There are many advantages of our project because of its accuracy. Some of the advantages are pointed out below:

- This project is easy to use
- Cost effective
- No foul play takes place
- Attendance monitoring gets easy
- Various ways of data analysis is available
- Low maintenance is required
- Saves energy
- Less time is wasted because of this system

Applications:

The application areas for this project in this modern and practical world are huge and some of these are given below:

- It can be used in any educational institutions
- It can be used in any industry or corporate offices
- It can be used in Hospitals
- It can also be used for places where high security is a must.
- It can be used to identify authentic or fake person
- It can be used to estimate food amount for guests
- It can also be used to minimize food wastage
- It can be implemented in places where energy saving is a must

N.B: *Any modification of this project can be done as per your requirement. We will make the project according to your needs. Contact us with your any innovative engineering projects idea. We will help you to implement your project.*

Office:

Road#04, Plot#03, Sec#6/Ka,
Mirpur-2, Dhaka-1216

Web & Mail:

www.projects.zeronebd.com
projects.zeronebd@gmail.com

Contact:

01676 99 80 99
01714 80 84 02