

Automatic Bus Stop, Display & Alarm System of Station.

Introduction:

This bus station display system is very helpful for people who are illiterates and new to cities. This system can be applied in different areas like transport companies, public trains, private travels, government travel agencies, service organizations, etc. An ultrasonic sensor is used in our project. When there is a bus stop, the car stops for a specified time & on the screen to show that the bus stops at the station, At the same time a signal will be given to passengers to go down. After a certain time, the car will be turned on for the next destination. Our whole project is being controlled by microcontroller development board Arduino.

Block Diagram:

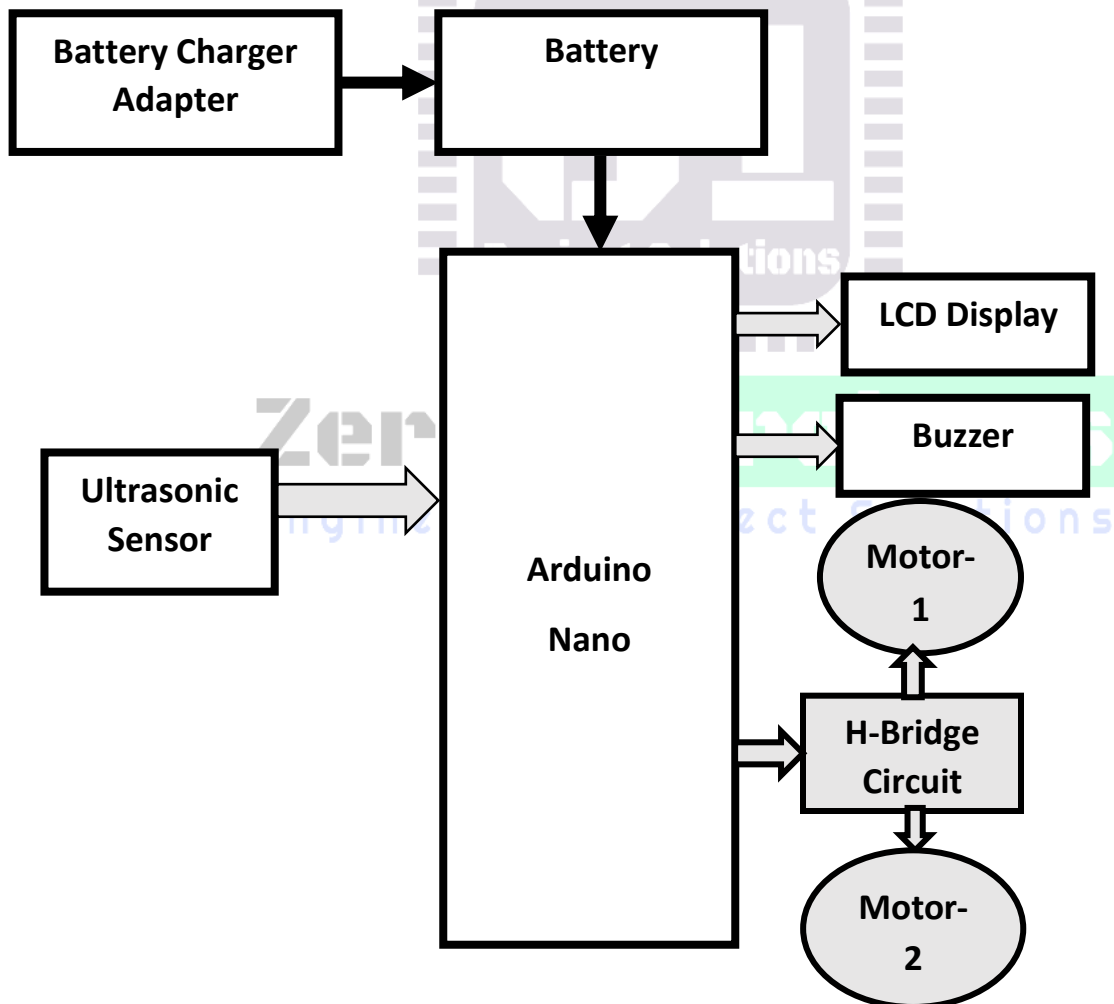


Fig: Block Diagram of This Project.

Office:

Road#04, Plot#03, Sec#6/Ka,
Mirpur-2, Dhaka-1216

Web & Mail:

www.projects.zeronebd.com
projects.zeronebd@gmail.com

Contact:

01676 99 80 99
01714 80 84 02

Required Instruments:

1. Arduino Nano.
2. Ultrasonic Sensor.
3. Display.
4. DC Motor.
5. Motor Driver.
6. 7.4 volt Lithium Ion Battery.

Advantages & Feature:

The development of automatic bus station vehicle has social environmental and economic benefits.

- The advantage of this project to the operation and management of a transit agency is centered on its ability to provide a more efficient service and to reduce costs.
- Reduce traffic jam & Road Accident.
- Better efficiency and reliable service may also lead to additional revenue.
- Schedule Efficiency.
- Time Savings.
- Automatic Bus Stop.
- Display System.
- Alarming System.

Applications:

- Easy navigation of blind.
- Bus Rapid Transit System (BRT).
- Public transport system.

N.B: For This Project Details & Customized Development or to Get Any Engineering Project Solutions Contact with Us.

Office:

Road#04, Plot#03, Sec#6/Ka,
Mirpur-2, Dhaka-1216

Web & Mail:

www.projects.zeronebd.com
projects.zeronebd@gmail.com

Contact:

01676 99 80 99
01714 80 84 02