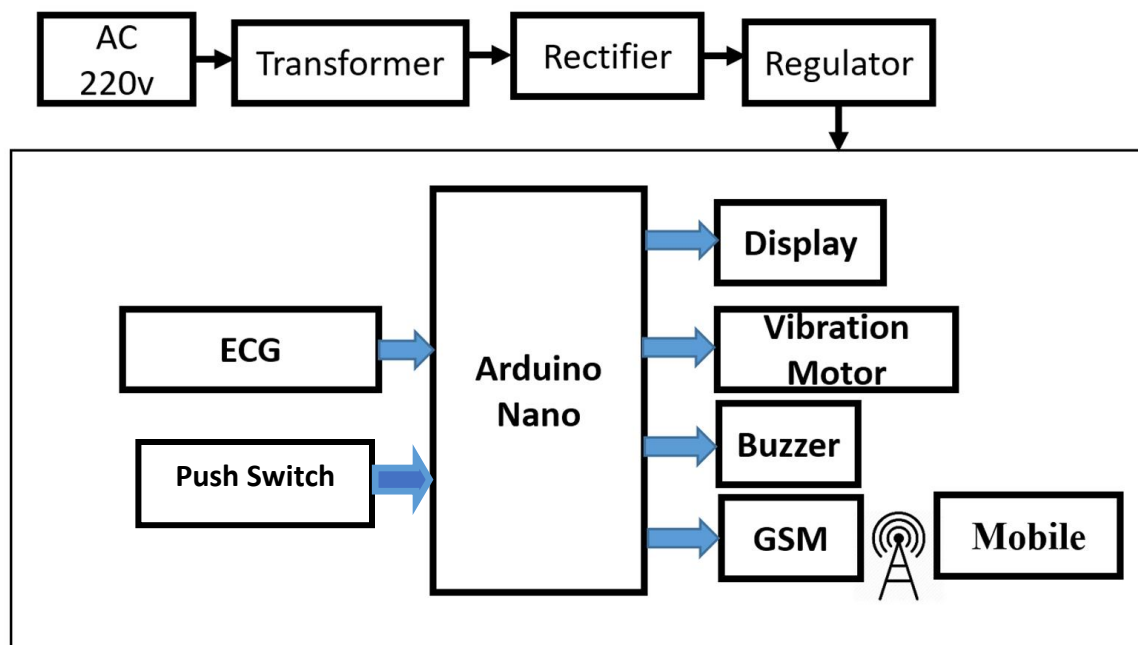


## GSM Based Patient ECG Monitoring and Emergency Dr. Calling System.

### About This Project:

The project concentrates a selective section of GSM Based Patient Health Monitoring and ECG monitoring System. Several patient monitors are available in the market. Yet it is quite a daunting task in countries with high population like India, because of insufficient resource space availability. It is difficult to keep a track of several patients at a time from both inside and outside hospital premises/medical facility, which includes remote locations. The project involves with sensing the vitals of the newly born babies which are very different when compared to adult patients and transmit these signals to the computer monitor at the nursing station. Also based on the preset threshold values for the recorded values, an alarm system will be introduced with an immediate transfer of the corresponding patient data to the registered medical professional. This project attempts to design and implement patient monitoring and real time feedback mechanism, equipped with wireless transmission via GSM. Using GSM for external correspondence is proposed. The proposed system is likely to be efficient, economical, easy to use, and portable, have wide application potential due to flexibility in the design and software.

### Block Diagram:



**Figure:** Block Diagram of GSM Based Patient ECG Monitoring & Emergency Dr. Calling System.

### Required Instrument:

- Arduino Nano.
- ECG Module.
- GSM Module SIM800L.
- LCD Display.
- Buzzer.
- Vibration Motor.
- Transformer.
- Rectifier.
- Regulator IC.

### Advantages:

There are many advantages of our project because of its accuracy. Some of the advantages are pointed out below:

- The heart's contraction process can be expressed through the graph.
- Informing the doctor about the physical condition of the patient in mobile messaging.
- Automatic stimulation system as a first aid treatment for a patient.
- Saves time and physical work.
- This project is easy to use.
- Cost effective.

### Applications:

The application areas for this project in this modern and practical world are huge and some of these are given below:

- Hospital and Clinic.
- Personally use in home.

**N.B:** *Any modification of this project can be done as per your requirement. We will make the project according to your needs. Contact us with your any innovative engineering projects idea. We will help you to implement your project.*

#### Office:

Road#04, Plot#03, Sec#6/Ka,  
Mirpur-2, Dhaka-1216

#### Web & Mail:

www.projects.zeronebd.com  
projects.zeronebd@gmail.com

#### Contact:

01676 99 80 99  
01714 80 84 02