

Touch Screen Based Wireless Restaurant Menu Ordering System.

About This Project:

In today's world we have automation in all areas; there is one field where technology not entered yet. It is the menu display & ordering system & so far there is no initiative to taken to introduce technology in this area. Touch-screen based advanced menu ordering is the method by which anyone will select any items by their choice which are in menu display & that order will be transferred to the cook or manager's personal computer using RF wireless transmission module & that ordered item will be given to that customer. Touch screens as a popular user interface are more and more common. Applications span from public information systems to Customer self-service terminals. In this project a Touchscreen panel will placed on every table. Whenever customers come to their table then they will select the desired order menus from the touchscreen. At this time information will be sent to the kitchen of the hotel. All this information will be displayed on a computer display. For this purpose we have used a wireless RF transmitter at the customer table side. And wireless RF receiver at the kitchen side. So orders will be directly sent to the kitchen and users don't have to wait for the waiter. And at the same time LCD will display the total billed amount directly to the user.

Block Diagram:

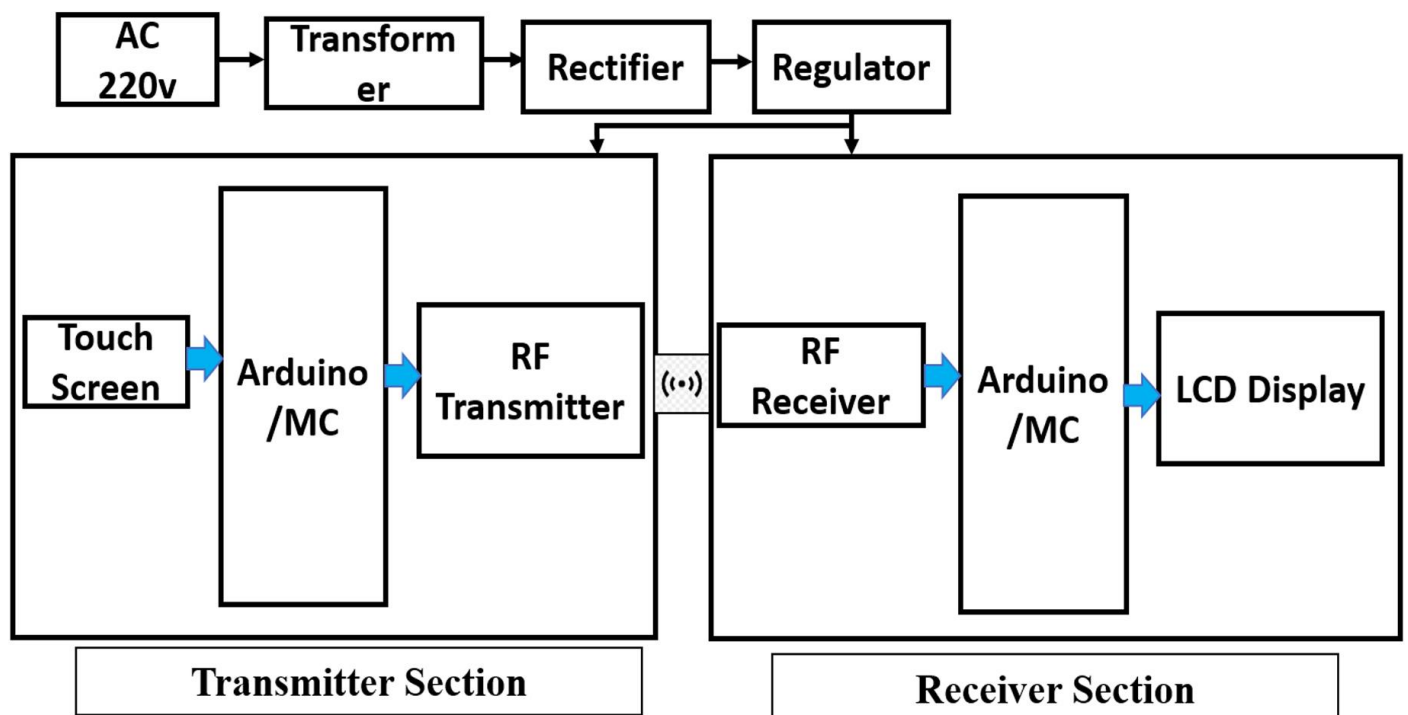


Figure: Block Diagram of Touch Screen Based Wireless Restaurant Menu Ordering System.

Required Instrument:

1. Arduino Nano.
2. Touch Screen Display.
3. RF Module.
4. LCD Display.
5. Transformer.
6. Diode.
7. Voltage Regulator.
8. Capacitor.
9. Resistor.

Advantages:

Time is money, especially in a fast paced retail or restaurant environment. In retail or restaurant environment, touch screen systems are easy to use so employees can get work done faster and also training time can be reduced for new employees. As input is present right on the screen, valuable counter space can be saved.

- Fast Response.
- Easy to install.
- Saves time and physical work.
- This project is easy to use.
- Cost effective.

Applications:

The project has a major application in the

- It can be used widely in any Restaurant.
- It's also used School/College/University or any Office Canteen.

N.B: *Any modification of this project can be done as per your requirement. We will make the project according to your needs. Contact us with your any innovative engineering projects idea. We will help you to implement your project.*

Office:

Road#04, Plot#03, Sec#6/Ka,
Mirpur-2, Dhaka-1216

Web & Mail:

www.projects.zeronebd.com
projects.zeronebd@gmail.com

Contact:

01676 99 80 99
01714 80 84 02